

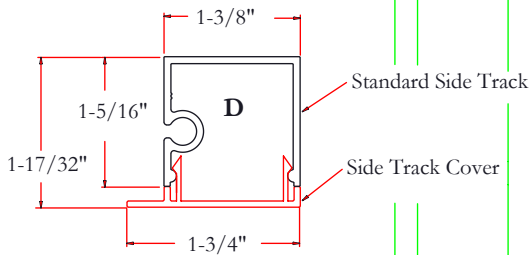
# Executive Design Specifications- System With Standard Side Track

(External Assembled View)

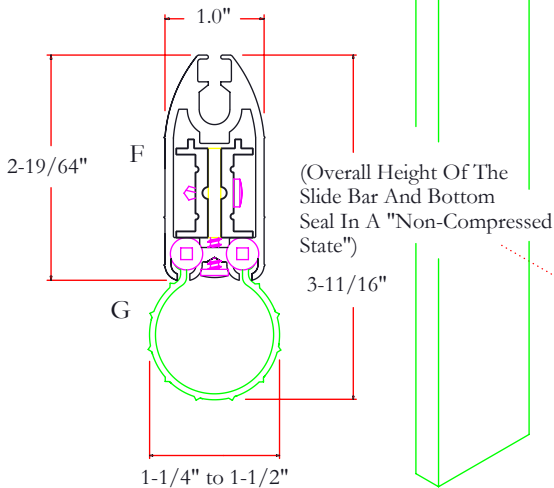
FOR ILLUSTRATION PURPOSES - ONLY CROSS SECTIONS DRAWN TO SCALE

## Parts Spec

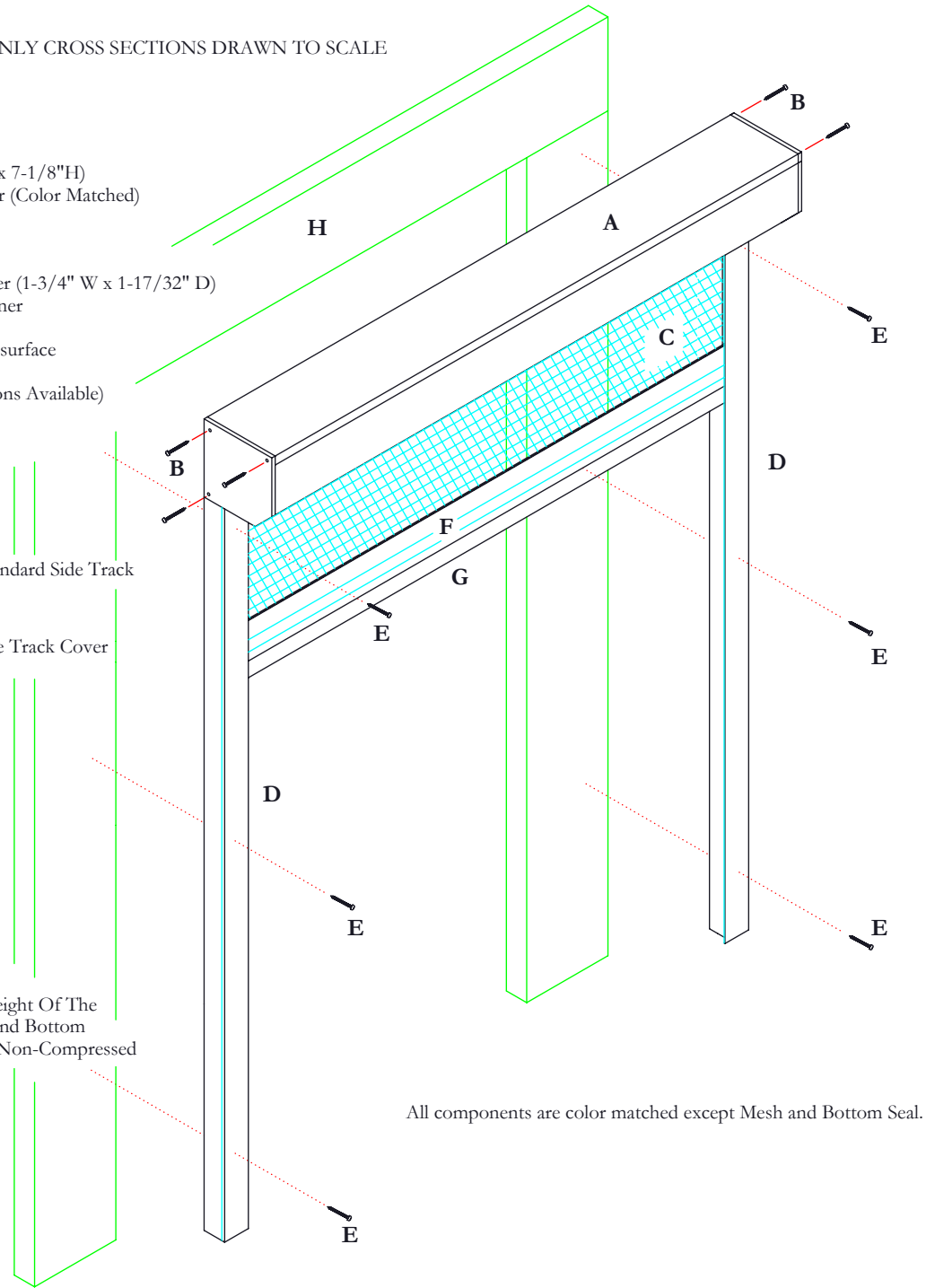
- A Housing Assembly:  
(5-1/2"W x 5-1/2"H or 7-1/8"W x 7-1/8"H)
- B #8 x 1" Corrosion Resistant Fastener (Color Matched)  
3 Fasteners per End Cap
- C PVC Coated Fiberglass Mesh  
or other - see Mesh Specifications
- D Standard Side Track (V2A) c/w Cover (1-3/4" W x 1-17/32" D)
- E #8 or #10 Corrosion Resistant Fastener  
Type and length of screws may vary depending on type of mounting surface
- F Slide Bar c/w Probe Assembly
- G Bottom Seal - 4" Shown (Other Options Available)
- H Mounting Surface



**CROSS SECTIONAL VIEW OF THE STANDARD SIDE TRACK**



**CROSS SECTIONAL VIEW OF THE SLIDE BAR AND 4" BOTTOM SEAL**



All components are color matched except Mesh and Bottom Seal.